

REVIT FAMILY 누구나 한다!

2탄

작성법 및 실제 활용방법

디지털허브 정종화 부장 / 김보라 대리

디지털허브 김보라

boraKim@dhurb.co.kr

Dhurb.co.kr



Revit Family 누구나 한다 !

- Revit MEP Family 활용 및 연구 사례
- Revit MEP Family 기본 작성 방법 및 실습
- Revit Family 작성 Tip & Tech

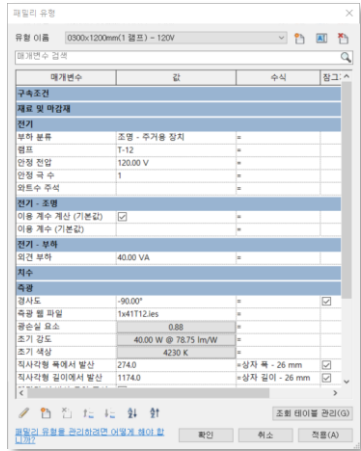


Revit MEP Family

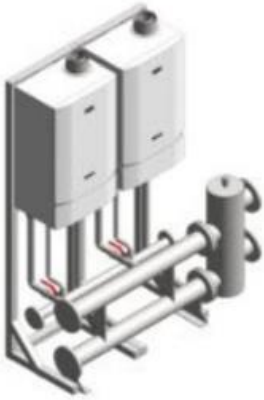
활용 및 연구 사례



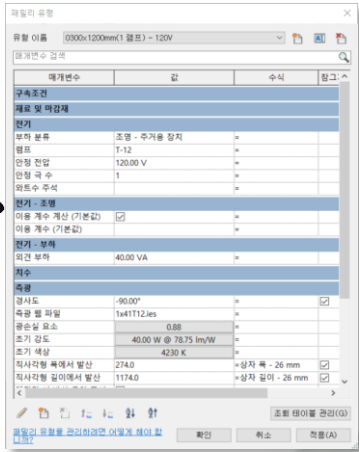
Revit MEP Family



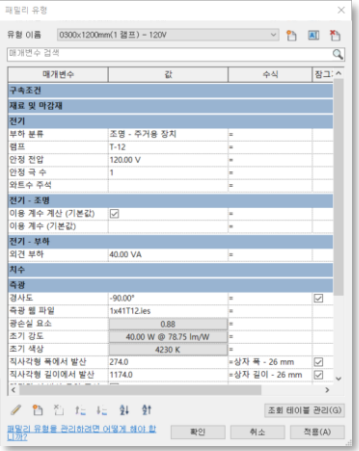
Mechanical



Electrical



Plumbing



Revit MEP Family 활용 범위

냉난방 부하

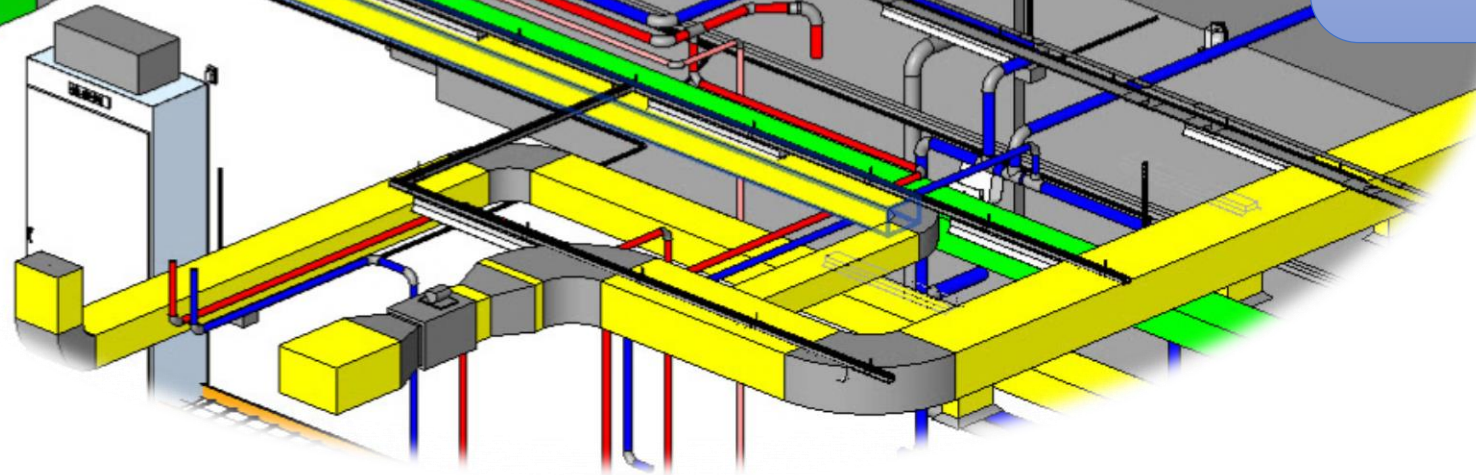
시설 관리

조도 계획

에너지 인증

물량 산출

간섭 체크



Autodesk APP STORE



866-516-9497 support@designmaster.biz

Products Support Company Pricing Free Trial Search

You are here: [Home](#) > [Products](#) > Electrical for Revit

Electrical for Revit

Design Master Electrical RT: Electrical Calculations for Revit

Design Master Electrical RT is an add-in for Revit. It adds electrical calculations to your existing Revit model.

It runs on Revit MEP 2014, Revit MEP 2015, Revit 2016, Revit 2017, Revit 2018, Revit 2019, Revit 2020, and Revit 2021.

One-Line Riser Diagrams

- Automatically generate a one-line riser diagram
- Unlimited customization to match your existing drafting style
- Feeder sizes and other labels update as your electrical model is changed

[Learn more about one-line riser diagrams...](#)



Feeder Sizing

- Size feeders automatically based upon the overcurrent protection
- Complete control over default feeder sizes
- Customize individual feeders as needed

[Learn more about feeder sizing...](#)



Branch Circuit Breaker and Wire Sizing

- Size branch circuit breakers and wires based upon connected load
- Motor breakers and conductors sized based upon FLA, MCA, and MOCP
- Complete control over default breaker and wire sizes



Live Chat

Autodesk APP STORE

Lighting Analysts
illumination engineering software

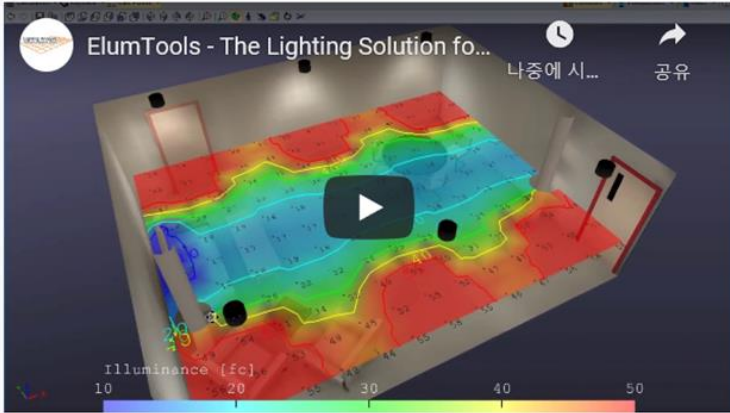
Home Software Support Learn Company Blogs Q

ElumTools Overview Features Workflow Layout Assistant Emergency Mode Daylight Mode Horticulture Mode

TRY BUY

A fully-integrated lighting calculation tool for Autodesk® Revit®

ElumTools is the first (and only) fully integrated lighting calculation add-in for Autodesk® Revit®. ElumTools is designed to calculate point-by-point illuminance on any workplane or surface utilizing lighting fixture families and surface geometry already present in the Revit model. ElumTools runs completely inside of Revit with its own ribbon toolbar to provide quick access to analysis tools for Revit Rooms, Spaces, Regions and Views. An interactive Radiosity-based visualization is produced by the calculation process providing designers complete walk-through capability to assist in the understanding the interaction of light and surface.



ElumTools is easy to learn and even easier to use regularly for your lighting computations. The ElumTools workflow is fast and efficient, saving you countless hours over trying to export geometry to a stand-alone tool, then fussing to integrate the results with your Revit sheets. ElumTools can compute your lighting, allow you to see it in a visualization, drop it on the view or sheet and schedule all in the time it takes to export the model for use elsewhere.

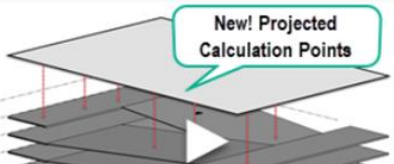
DOWNLOADS

- Weather Database Installer >
- ElumTools Trial Download >

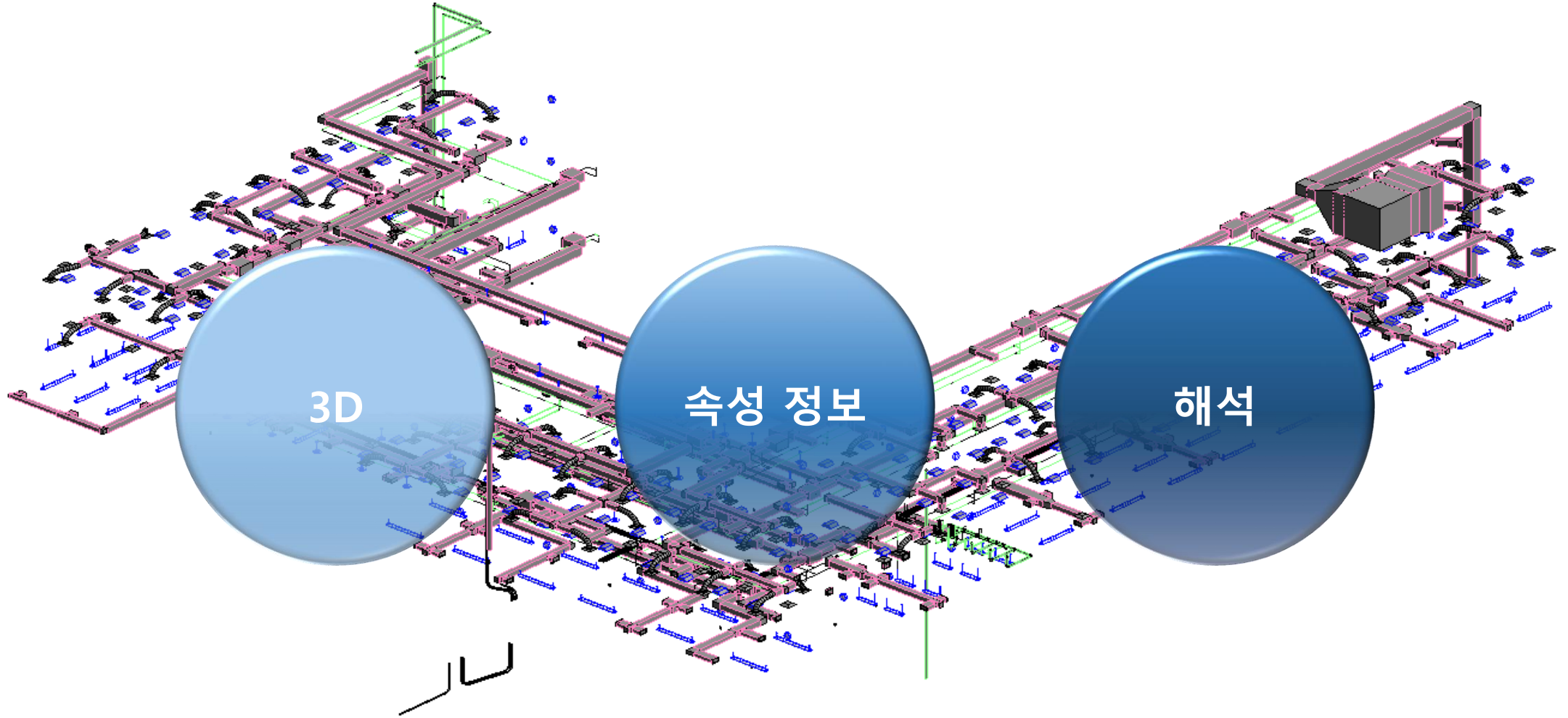
RESOURCES

- ElumTools Brochure >
- YouTube Videos >
- System Requirements >
- ElumTools Online Help >
- ElumTools Online Learning >

ELUMTOOLS LATEST VIDEOS



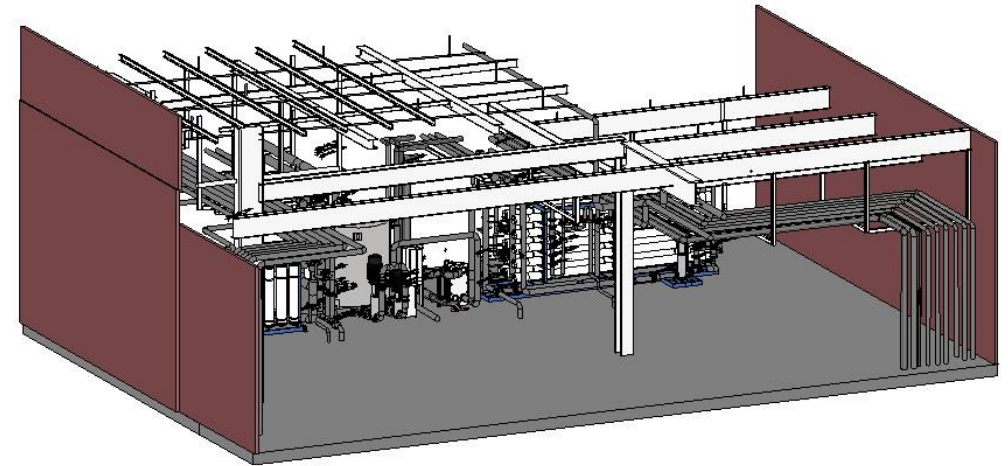
Revit MEP Family



MEP 활용 사례 – SCAN to BIM

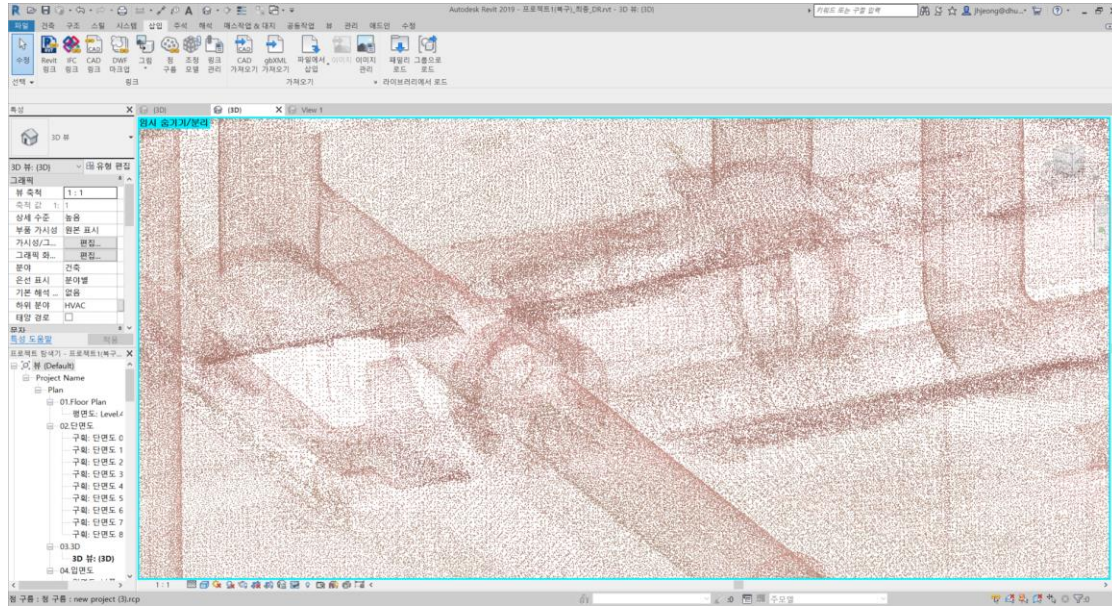


SCAN

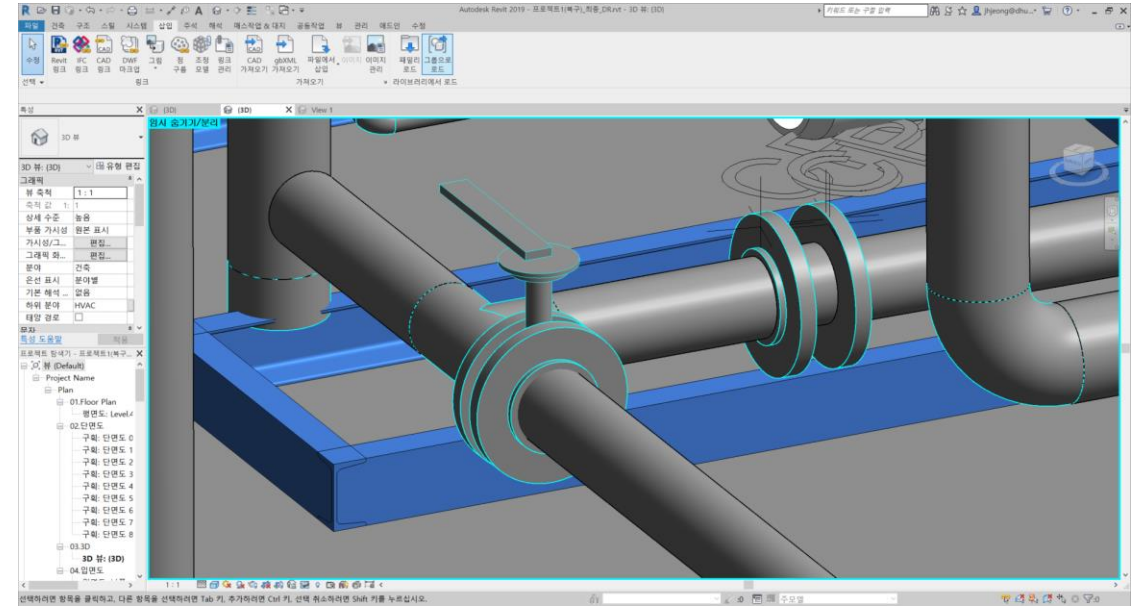


MODEL

MEP 활용 사례 – SCAN to BIM



SCAN



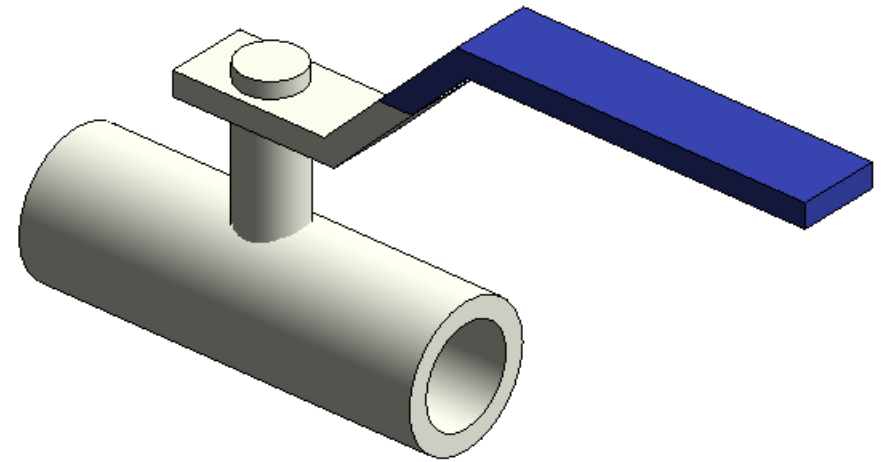
MODEL

밸브 (VALVE) Family를 통한 기본 작성 및 실습

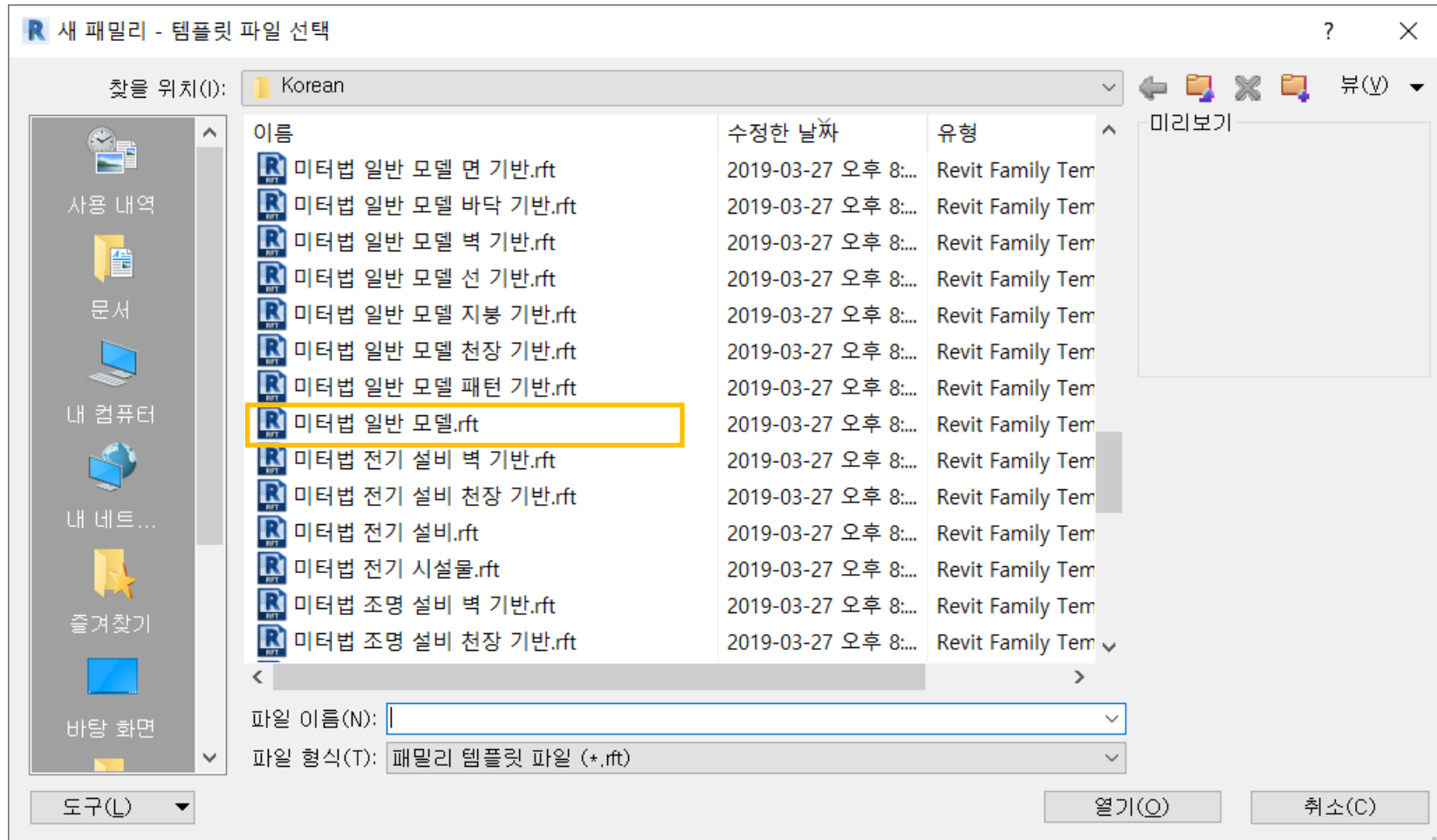


MEP Loadable Family 작성 전 고려사항

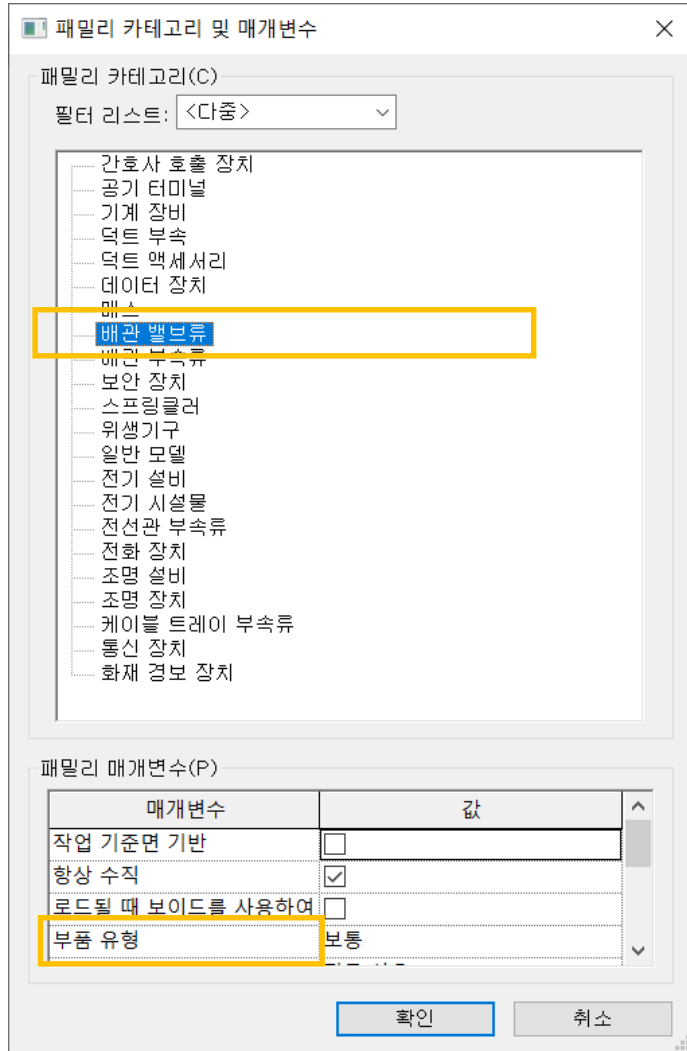
- Family가 모델링 되어질 호스트 선택
- 호스트에 기반한 템플릿을 선택
- 필요한 매개변수 항목을 미리 선택
- 형상 작성 방법 계획
- Family 파일 용량 최소화



밸브 Family 작성하기 - 템플릿




밸브 Family 작성하기 - 카테고리





부품 유형

- 끝마감
- 밸브 - 분할 대상
- 밸브 - 일반
- 보통
- 부착 대상
- 분할 대상
- 센서
- 인라인 센서

밸브 Family 작성하기 - 매개 변수

Customer Support | Investors | Careers | United States 







Products ▾ Solutions ▾ Resources ▾ Our Brands ▾ How to Buy ▾ 

Resources : BIM & CAD Drawings

BIM & CAD Drawings

Save time with Watts content offered through ARCAT®, BIMobject®, RevitCity and UNIFI.

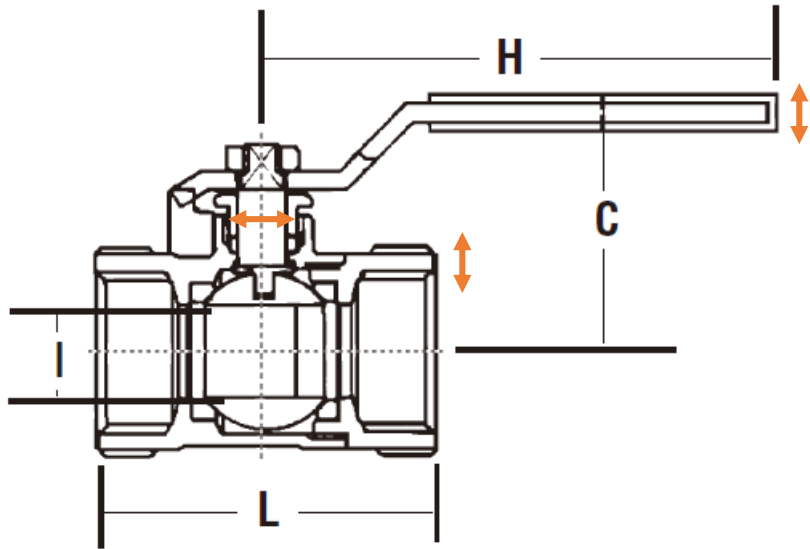
Preview and download 3d models & CAD files in a variety of formats including Revit, stp, dwf, dwg and pdf.



ARCAT BIMobject RevitCity UNIFI

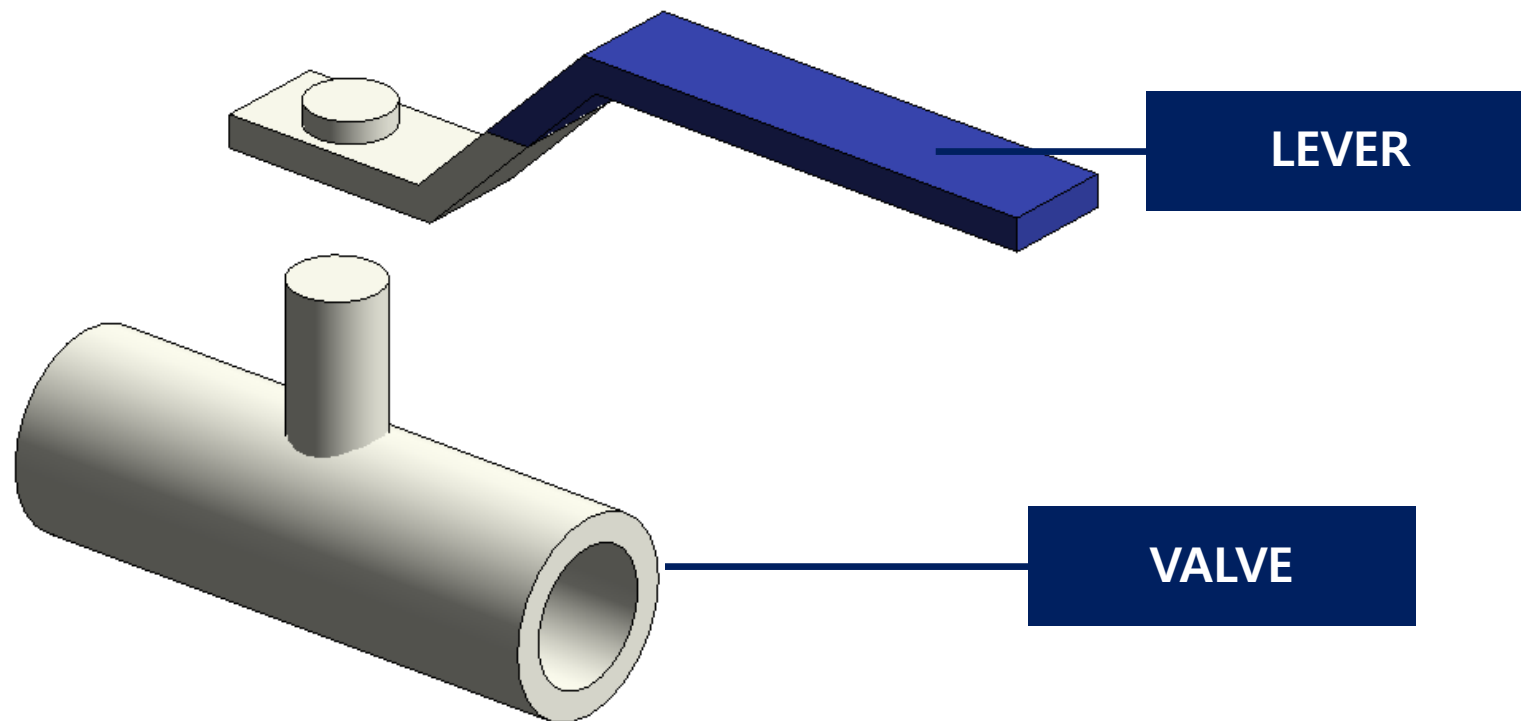
<https://www.watts.com/>

밸브 Family 작성하기 - 매개 변수

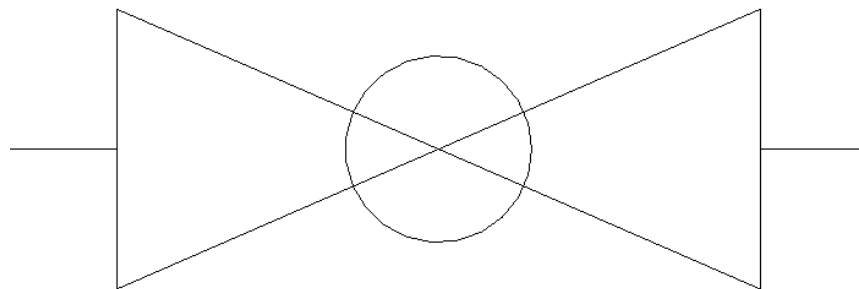


| SIZE (DN) | | DIMENSIONS | | | | | | | |
|------------|-----------|------------|-----------|------------|-----------|------------|-----------|------------|-----------|
| | | C | | H | | I | | L | |
| <i>in.</i> | <i>mm</i> | <i>in.</i> | <i>mm</i> | <i>in.</i> | <i>mm</i> | <i>in.</i> | <i>mm</i> | <i>in.</i> | <i>mm</i> |
| 1/8 | 6 | 1 3/8 | 36 | 3 3/16 | 81 | 5/16 | 8 | 1 11/16 | 42 |
| 1/4 | 8 | 1 3/8 | 36 | 3 3/16 | 81 | 5/16 | 8 | 1 11/16 | 42 |
| 3/8 | 10 | 1 3/8 | 36 | 3 3/16 | 81 | 5/16 | 8 | 1 11/16 | 42 |
| 1/2 | 15 | 1 5/8 | 41 | 3 3/16 | 81 | 1/2 | 12 | 2 | 50 |
| 3/4 | 20 | 1 3/4 | 44 | 3 5/8 | 93 | 9/16 | 15 | 2 5/16 | 58 |
| 1 | 25 | 2 1/4 | 57 | 4 5/8 | 117 | 13/16 | 20 | 2 3/4 | 69 |
| 1 1/4 | 32 | 2 7/16 | 62 | 4 5/8 | 117 | 1 | 25 | 3 1/16 | 78 |
| 1 1/2 | 40 | 2 7/8 | 72 | 5 | 127 | 1 1/4 | 32 | 3 7/16 | 87 |
| 2 | 50 | 3 | 76 | 6 | 152 | 1 9/16 | 39 | 3 7/8 | 99 |
| 2 1/2 | 65 | 3 3/8 | 86 | 5 5/8 | 142 | 1 15/16 | 50 | 4 7/16 | 112 |
| 3 | 80 | 4 3/8 | 110 | 8 | 203 | 2 3/8 | 60 | 5 3/8 | 136 |
| 4 | 100 | 4 3/4 | 121 | 8 | 203 | 2 15/16 | 74 | 6 | 152 |

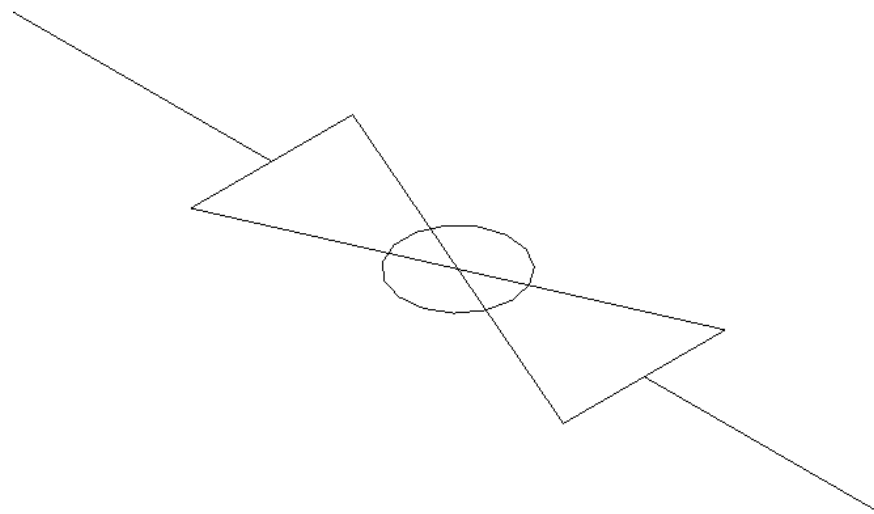
| 밸브 Family 작성하기 - 양식



| 밸브 Family 작성하기 - 모델 선



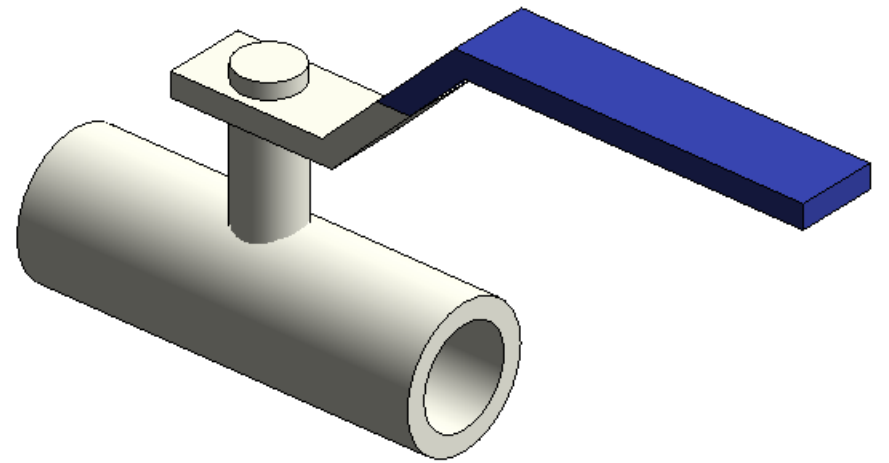
평면 뷰



3D 뷰

| 밸브 Family 작성! 이것만 알고 가자

- 하위 Family 작성
- 커넥터 작성
- 조회 테이블을 이용한 매개변수 제어



조명 Family를 이용한

Tip&Tech



MEP Family 호스트 Tip & Tech



벽 기반

일반 모델

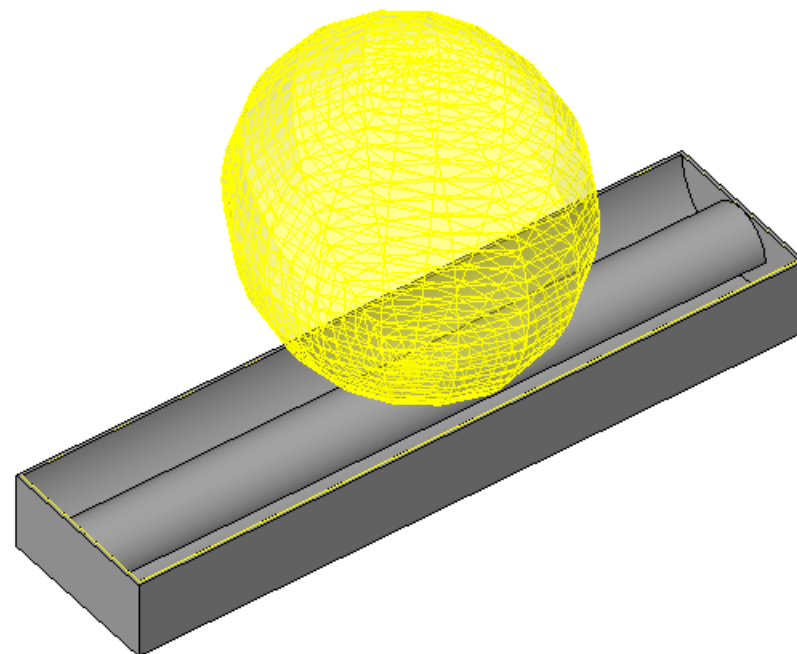


면 기반

- MEP FAMILY의 호스트 (기반)
- 작성된 FAMILY 호스트 변경하기

| 조명 Family 광원 설정 Tip & Tech

- 광원 표현하기
- 광원 모양 변경하기
- ISE 데이터 연결하기
- 광원의 위치와 각도 변경하기





WEBINAR 영상과 자료를 보시며
기술 문의는 아래의 정보로 연락 부탁드립니다!

Tel : (02)-425-2544

Mail : borakim@dhurb.co.kr

jhjeong@dhurb.co.kr

<http://www.dhurb.co.kr>